

LED Reading Lamp User's Manual

It has been designed to provide you with a high-tech lighting experience. For the best result, please read this user's manual carefully, keep it for future reference and troubleshooting.

Table of Contents	PAGE
Safety Instructions.....	01
Product Introduction.....	02
Installation.....	02
Operation.....	03
Maintenance.....	03
Troubleshootings.....	04
Specifications.....	04
Product Features.....	04

Safety Instructions

Your reading lamp is designed and tested to meet the latest standard for safety of lighting appliances. However, to ensure safe use of this product, it is important that you follow the instructions mentioned in this manual and marked on the product.

- Ⓢ To reduce the risk of electric shock, do not disassemble this appliance. Take it to qualified technician when service or repair is required. Incorrect reassembly can cause malfunction.
- Ⓢ To ensure the normal operation, use only proper socket for specified supply voltage. This product is designed to safety operation with the main voltage between 90 and 240 VAC at 50/60Hz.
- Ⓢ Hold the plug firmly when unplugging the power from the socket. DO NOT pull by the power cord, otherwise it can damage the wiring connection of the power device and cause the electric hazard.
- Ⓢ DO NOT move the lamp arm too rash, It may damage the hinge of the lamp. When adjusting the lamp position, always use the adjust paddle (part B). You are advised that keep your fingers away from the angle adjustment (part D). It could injure your finger when lamp arm closes up.
- Ⓢ This product is designed with a stable base and meets the standard regulation. Place the lamp on a firm and flat surface to avoid falling or dropping.

Cautions

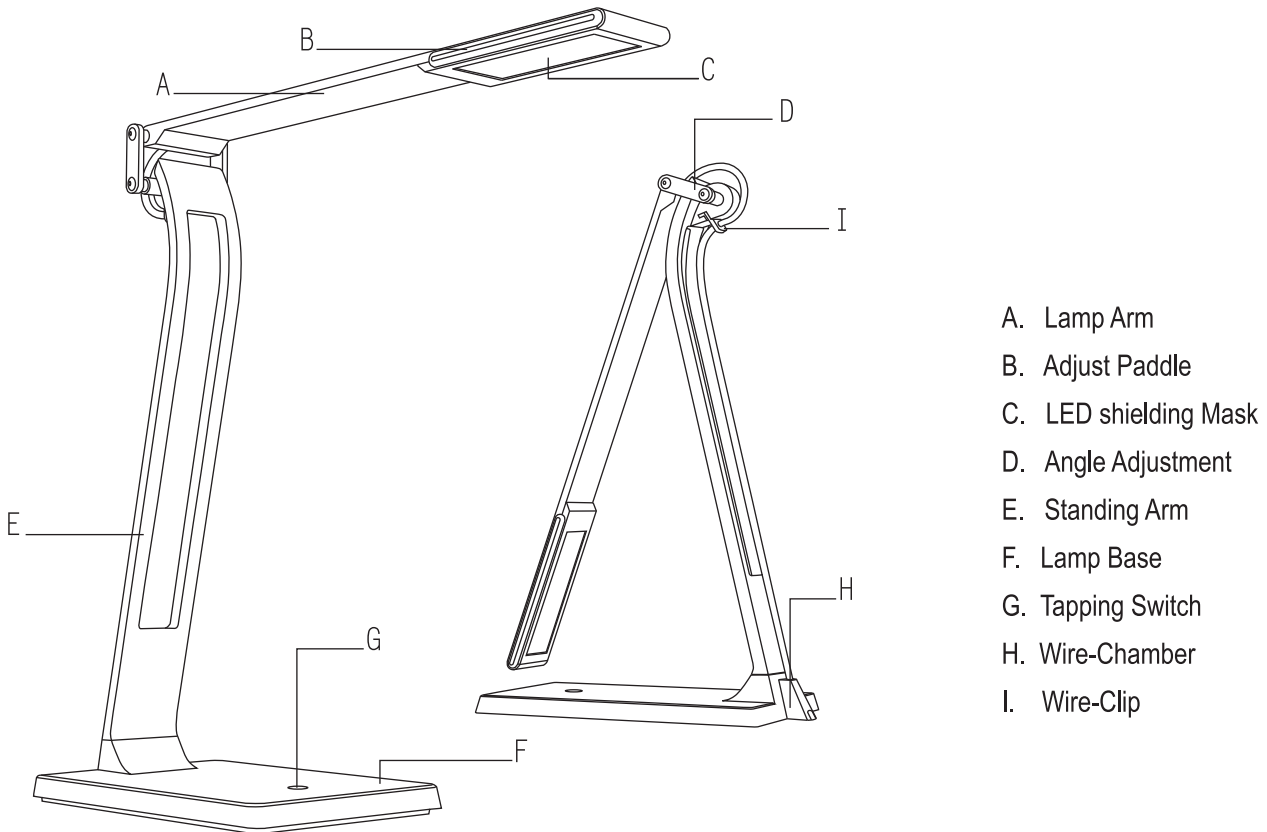
Please stop operating right away, and contact certified service agents or qualified technicians if following problems occur:

- Ⓢ Electronic compartment is intruded by water or liquid.
- Ⓢ Abnormal odor smell or light flicker is found.
- Ⓢ Intruding objects cannot be removed from lamp.
- Ⓢ Surface of electric power cord is damaged or peeled.
- Ⓢ Deconstruction or deformation is found on appearance.

Warnings

- ⚠ DO NOT expose the product to the rain or high humidity environment. It is designed for indoor use only !
- ⚠ DO NOT gaze at the LEDs light source directly since the high intensity of light may cause your eyes' injury !

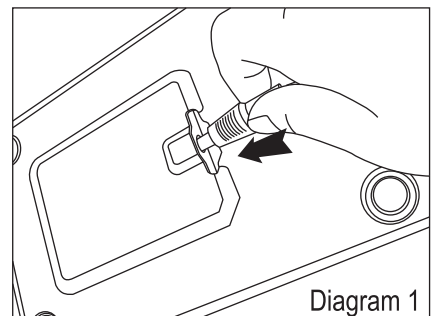
Product Introduction



Installation

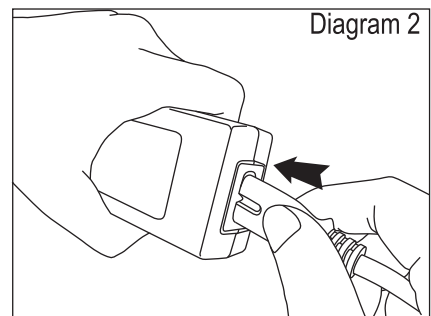
Contents Inspection

- 1. LED reading Lamp X1
- 2. Power Adapter X1
- 3. Power cord X1
- 4. Manual X1
- 5. Product Warranty X1



Connection of Power cord

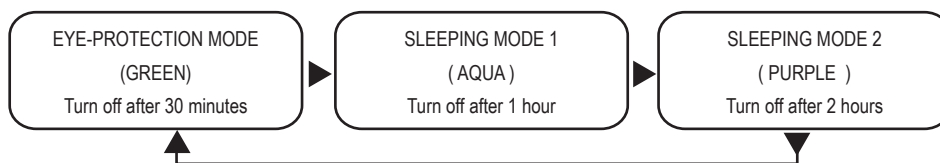
- 1. Insert DC plug of the power adapter to the matched input at the bottom of the lamp base (Diagram 1).
- 2. Connect AC plug of the power adapter with the power cord (Diagram 2), and then plug it to the socket on the wall.
- 3. The tapping-switch will appear blue when electricity is received.



Operation

1. Put DC Plug of Adapter into outlet of the base of Table lamp.
2. Put AC Plug of Adapter into outlet of wall.
3. After above actions have been done, the touch pad on table lamp is BLUE (standby mode), which means the lamp is OFF.
4. When the table lamp is OFF, one gentle touch on touch pad will turn the blue light to ORANGE light which means 100% ON condition.
5. When table lamp is OFF, press the touch pad and keep your finger on it lasting for 1~2 seconds, the lamp keeps dimming from 100% → 10% → 100%. When move out your finger, you can select the light intensity you need.
6. When the table lamp is ON, pressing the touch pad and keep your finger on it lasting for 3~5 seconds, the lamp enters the auto sleep setup:
 - (1) Eye protection mode: GREEN (The lamp will auto turn off after 30minutes).
 - (2) Auto sleep mode 1: AQUA (The lamp will auto turn off after 1 hour).
 - (3) Auto sleep mode 2: PURPLE (The lamp will auto turn off after 2 hours).

Meanwhile, touch pad will be in circle changing from GREEN ' AQUA ' PURPLE. When you move out your finger, the color of touch pad indicates the mode you select.



7. When table lamp is ON, a gentle touch will turn off the light and the touch pad will turn BLUE.

Maintenance

1. External maintenance:

Use soft mat to clean the components and the surface. DO NOT use coal oil or rosin oil, which may erode the lamp.

2. Maintenance of LED shielding mask:

Use soft mat to clean the surface of shielding mask and avoid the scratching.

3. Wire reposition:

In case of the loosen wire caused by over swing of lamp arm. Wire can be repositioned by pulling the wire and stretching it through the wire clip (part I).

Troubleshootings

Once the product is out of order not owing to the misuse, first check the following possible factors.

If the problem still can not be resolved with the following instruction, contact qualified technicians immediately.

1. Not able to turn on the lamp and no light showing in the Tapping Switch

☞ Check whether DC plug is completely inserted into the matched input socket at the bottom of the lamp base.

☞ Examine the connection of power cord and the socket.

2. Tapping switch lights up and the lamp is not operating.

☞ Make sure there is no isolation glove or substance is used.

Specifications

- ◎LED color Temp(typical): 5200K (LIBR12.LIBR22)
3000K (LIBR13.LIBR23)
- ◎Light Output(typical): 420 lumens (LIBR13.LIBR23)
315 lumens (LIBR12.LIBR22)
- ◎Input Voltage: 90-240V AC/ 50-60Hz
- ◎Total power consumption: 12W (typical value)
- ◎Operation Temp: 0°C~40°C

Product Features

1. Outstanding Fixture Design

- ◎Elegant metal base with a unique design.
- ◎New solid-state lighting source.
- ◎European style: simple, slim and fashionable.
- ◎Excellent mixture of high-end lighting technology and High-class taste.

2. Ergonomic & Ecologic

- ◎Comfortable light source.
- ◎No hazardous substance, such as mercury.
- ◎No direct & reflected glaze or flicker of light.
- ◎No UV radiation avoids any skin injury.
- ◎No IR radiation prevents heating-up the surface of object.
- ◎Easy to use by One Touch for dimming switching.
- ◎Easy selecting for three friendly functions: Standard mode, Eye-protection mode, and Sleeping mode.

3. Reliability

- ◎Excellent thermal management design.
- ◎Built-in heat pipe improves heat dissipation.
- ◎Provide a long service life operation.

4. Optical Characteristics

- ◎Provide up to 1300 Lux of light luminance.
- ◎Color rendering closes to natural light.

5. Electronic Functions

- ◎Use high efficient switching power supply for energy saving.
- ◎Electromagnetic Interference protection.
- ◎Digital power control with user friendly functions.