

Libra Reading Lamp(8x1W)

DATA SHEET

LEDonline Ltd.

29 Gay Street, Bath, U.K. BA1 2NT

Tel: 01225 386593 Fax:01225 383325

Website: www.ledonline.co.uk

1. Applications :

Area: Indoor use only

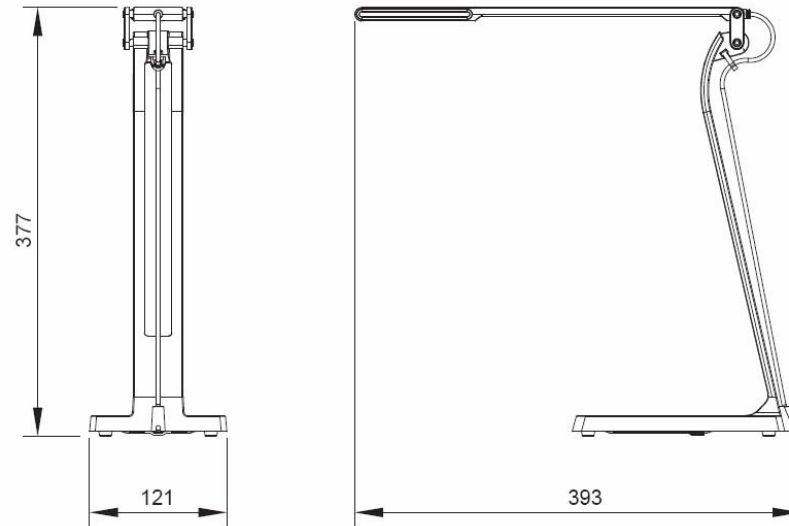
Purpose: Reading lamp.

Features:

- ◎ Outstanding Fixture Design
 - Elegant metal base with a unique design.
 - New solid-state lighting source.
 - European style: simple, slim and fashionable.
 - Excellent mixture of high-end lighting technology and High-class taste.
- ◎ Ergonomic & Ecologic
 - Comfortable light source.
 - No hazardous substance, such as mercury.
 - No direct & reflected glaze or flicker of light.
 - No UV radiation avoids any skin injury.
 - No IR radiation prevents heating-up the surface of object.
 - Easy to use by One Touch for dimming switching.
 - Easy selecting for three friendly functions: Standard mode, Eye-protection mode, and Sleeping mode.
- ◎ Reliability
 - Excellent thermal management design.
 - Built-in heat pipe improves heat dissipation.
 - Provide a long service life operation.
- ◎ Optical Characteristics
 - Provide up to 1100 Lux(5200K)/823 Lux(3000K) of light luminance.
 - Color rendering closes to natural light.
- ◎ Electronic Functions
 - Use high efficient switching power supply for energy saving.
 - Electromagnetic Interference protection.
 - Digital power control with user friendly functions.

2. Specification :

Outline Dim.:
393(L)x121(W)x377(H) mm



LED Light Source : Nichia 083(1Wx8ea)
Input Voltage: 90~240V AC ,50~60Hz
Power Consumption: 12W
Operation Temp: 0°C~40°C

3. Content list :

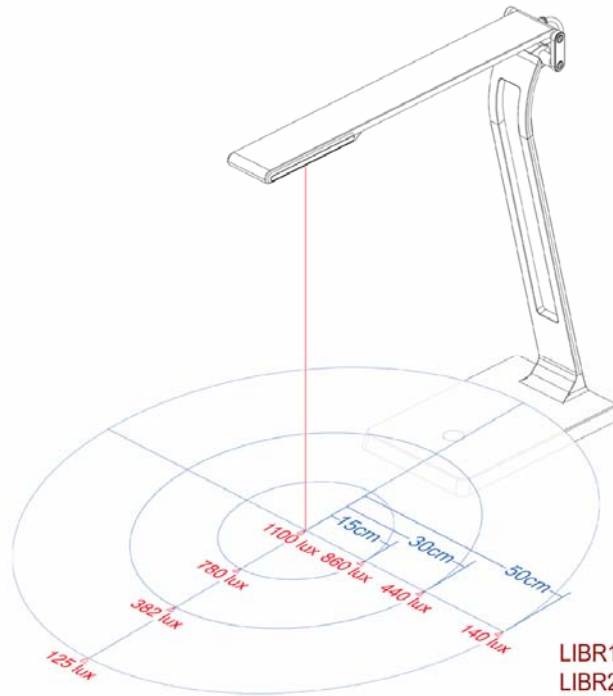
-Power Adapter x1 -Power Code x1 -Manual x1

4. Packaging information :

Packing: 4 boxes /carton		
box	270X130X440(mm)	2750g
carton	540X467X320(mm)	12.5kg

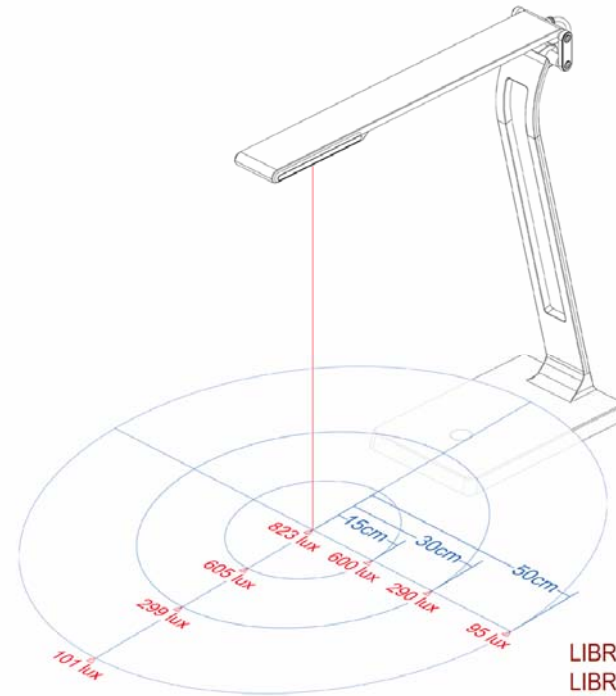
5. Optical performance :

Color Temp.	Model Number	Beam Angle	Output Lumens
5200± 400K	LIBR12(Silver) LIBR22(Dark Iron)	120 degree	420
3000± 300K	LIBR13(Silver) LIBR23(Dark Iron)	120 degree	315



LIBR12
LIBR22
(5200K)

Illumination Contour
(Typical Illumination after light-up 30min.)

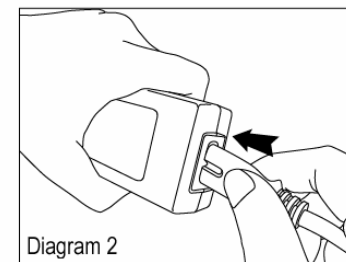
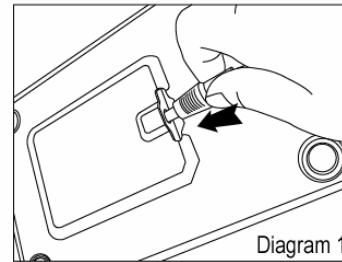


LIBR13
LIBR23
(3000K)

Illumination Contour
(Typical Illumination after light-up 30min.)

6. Installation guide :

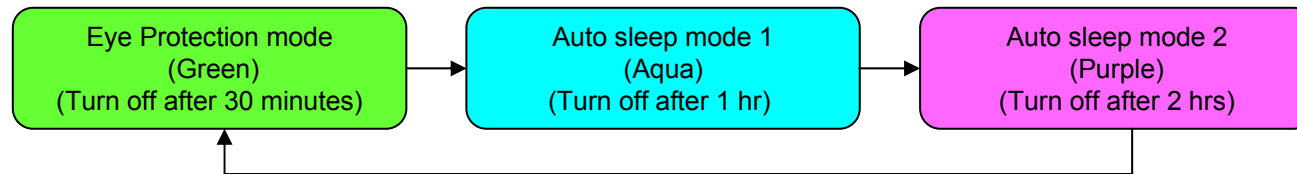
- Insert DC plug of the power adapter to the matched input at the bottom of the lamp base.
- Connect AC plug of the power adapter with the power cord, and then plug it to the socket on the wall.
- The tapping-switch will appear blue when electricity is received.



7. Operation manual :

- Put DC Plug of Adapter into outlet of the base of Table lamp.
- Put AC Plug of Adapter into outlet of wall.
- After above actions have been done, the touch pad on table lamp is BLUE (standby mode), which means the lamp is OFF.
- When the table lamp is OFF, one gentle touch on touch pad will turn the blue light to ORANGE light which means 100% ON condition.
- When table lamp is OFF, press the touch pad and keep your finger on it lasting for 1~2 seconds, the lamp keeps dimming from 100% → 10% → 100%. When move out your finger, you can select the light intensity you need.
- When the table lamp is ON, pressing the touch pad and keep your finger on it lasting for 3~5 seconds, the lamp enters the auto sleep setup:
 - (1) Eye protection mode: GREEN (The lamp will auto turn off after 30minutes).
 - (2) Auto sleep mode 1: AQUA (The lamp will auto turn off after 1 hour).
 - (3) Auto sleep mode 2: PURPLE (The lamp will auto turn off after 2 hours).

Meanwhile, touch pad will be in circle changing from GREEN → AQUA → PURPLE. When you move out your finger, the color of touch pad indicates the mode you select.



- When table lamp is ON, a gentle touch will turn off the light and the touch pad will turn BLUE.

8. Safety warning :

⊙ Cautions:

Please stop operating right away, and contact certified service agents or qualified technicians if following problems occur:

- Electronic compartment is intruded by water or liquid.
- Abnormal odor smell or light flicker is found.
- Intruding objects cannot be removed from lamp.
- Surface of electric power cord is damaged or peeled.
- Deconstruction or deformation is found on appearance.

⊙ Warnings:

- DO NOT expose the product to the rain or high humidity environment. It is designed for indoor use only !
- DO NOT gaze at the LEDs light source directly since the high intensity of light may cause your eyes' injury !

9. Average life time :

Lighting Illumination: 10 years

LED :50,000 hours

System :20,000 hours

10. Warranty : 1 years
